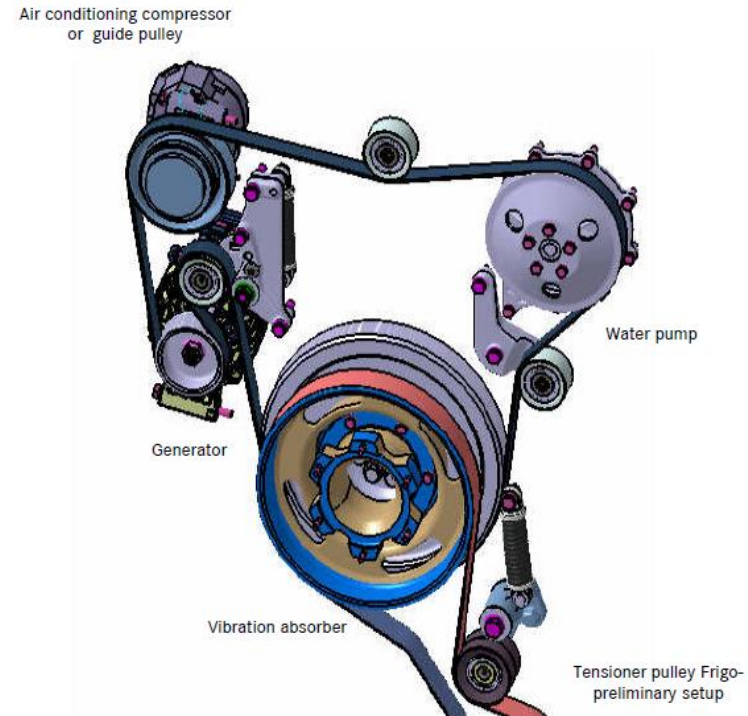
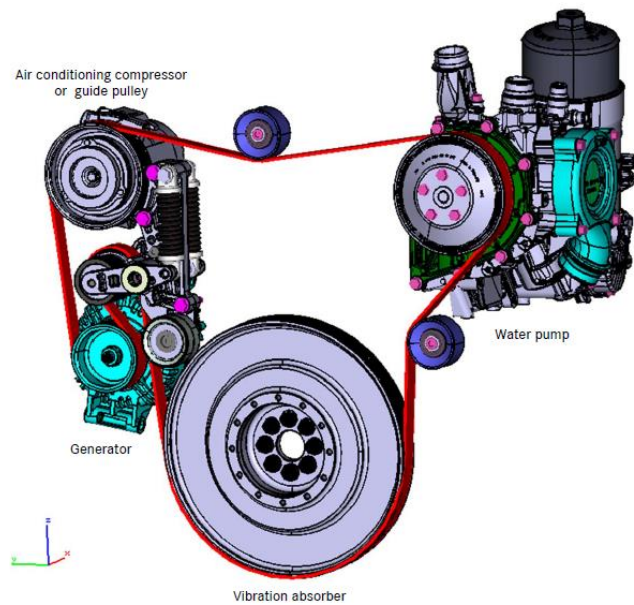


# SB15030025 – Solutions for MB Antos according to Engines and delivery uses

<b>MERCEDES BENZ ANTOS FOR DELIVERY USES (Bm963.0X)</b>			
<b>CAB SETUP</b>	<b>ENGINE</b>	<b>POWER &amp; SETUP</b>	<b>OLIVA TORRAS KIT</b>
FLAT CAB FLOOR (CAB SETUP HEIGHT=765mm)	OM936	STANDARD CONFIGURATION	KC23040570
		<b>WITH N7C OPTION</b>	KC14060366
	OM470	WITHOUT M7S OPTION	KC14040352
			KC12120299
ENGINE TUNNEL 170mm (CAB SETUP HEIGHT=600mm)	OM936	STANDARD CONFIGURATION	KC13040322
		WITH N7C OPTION	KC23040570
	OM470	240kW-290kW	KC14060366
		<b>315-335kW WITH N7G/N7H/V1Y OPTION</b>	KC14040352
			KC12120299
			KC13040322
ENGINE TUNNEL 320mm (CAB SETUP HEIGHT=420mm)	OM936	STANDARD CONFIGURATION	KC14050359
		WITH N7C OPTION	KC14050360
	OM470	240kW-290kW	KC23040570
		<b>315kW WITH N7G/N7H/V1Y OPTION</b>	KC14060366
			KC14040352
			KC12120299

# SB15030025 – Solutions for MB Antos according to Engines and delivery uses

Oliva Torras technical solutions only available for the engines OM936/0M470 with **1 belt layer** configuration.



# SB15030025 – Solutions for MB Antos according to Engines and delivery uses



Attention, Oliva Torras technical solutions **are not suitable** for the engines OM936/OM47X with **2 or 3 belt layer** configuration.

